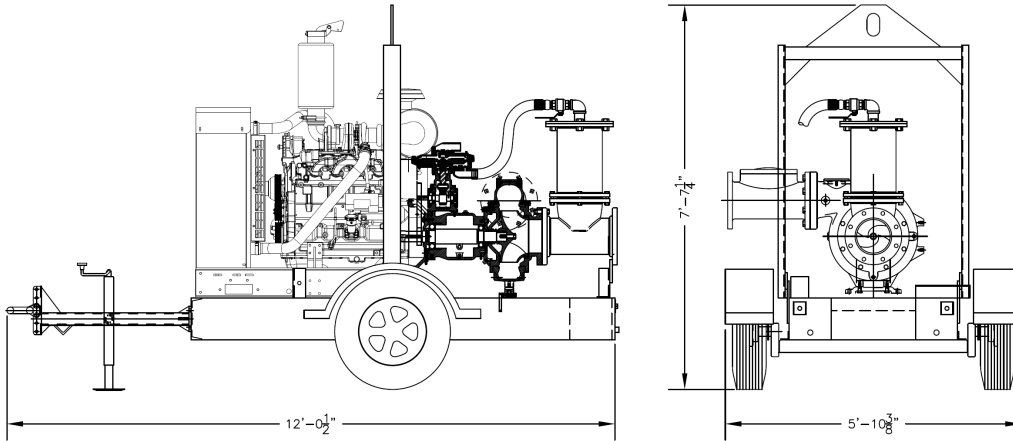


8" Diesel Pump

Vacuum Assisted

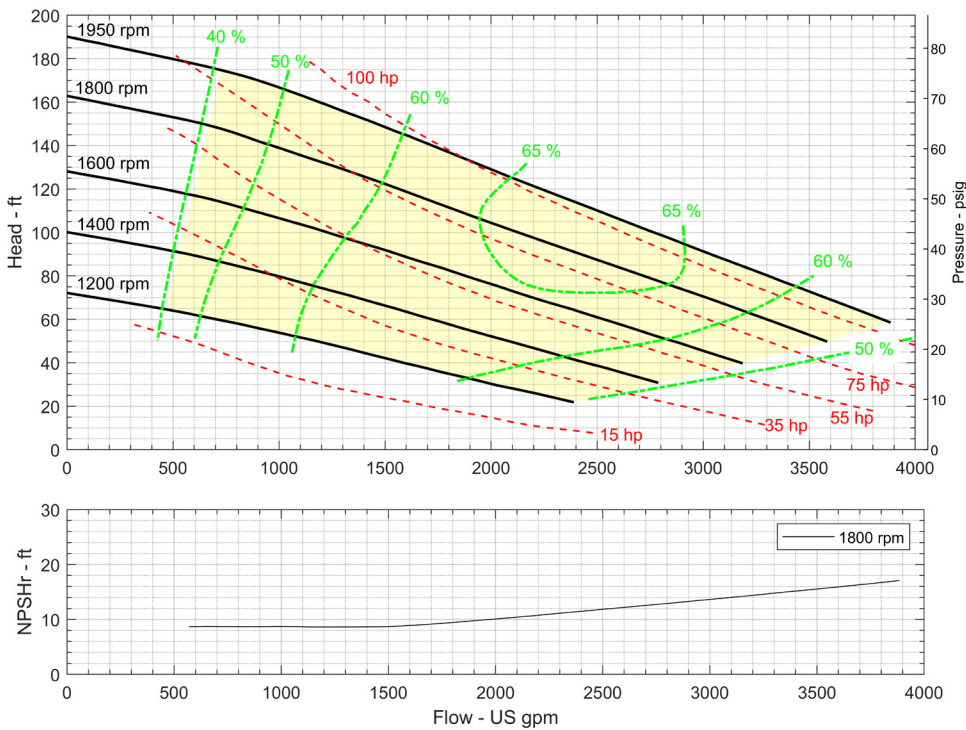
Dimensional Drawing



Dimensional Details

Total Weight wo/Fuel	4742 lbs
Total Weight w/Fuel	5700 lbs
Overall Height	91 inch
Overall Width	70 inch
Overall Length	145 inch

Performance Curve



Pump Make	Pioneer
Pump Model	PP88S12
Operating Speed	Variable
Min. Speed	1200 rpm
Max. Speed	1950 rpm
Impeller Rated Dia.	12.25 inch
Impeller Type	Enclosed
No. of Impeller Vanes	2
Solid Dia.	3 inch
Specific Speed	2855 US Units
Suction Size	8 inch
Discharge Size	8 inch